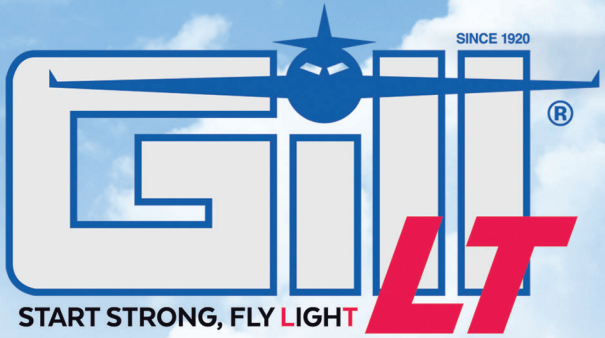


HELICOPTER

# 7407-28

Sealed Aircraft Battery, VRLA, LT Technology, 24V, 28Ah



SPECIFICATIONS			
Model	7407-28		
Nominal Voltage, V	24		
One Hour Capacity, C1, Ah	28		
30 Minute Emergency Rate, C/2, A	45		
Weight, Lb. Maximum	66.50		
Power Performance	23°C (75°F)	-18°C (0°F)	-30°C (-22°F)
Ipp, A	1599	1100	850
Ipr, A	1088	840	600



**7407-28**  
AVAILABLE NOW,  
AT DISTRIBUTORS

*Upgrade to the Next Generation of Lead-Acid Technology!*

- ✓ TSO Authorized
- ✓ DO-160E Tested
- ✓ Sealed, VRLA, Non-Spillable
- ✓ 18 Month/1800 Hour Capacity Check Inspection
- ✓ 2 Year Warranty
- ✓ FAA-PMA
- ✓ EASA



TELEDYNE BATTERY PRODUCTS  
Everywhereyoulook™

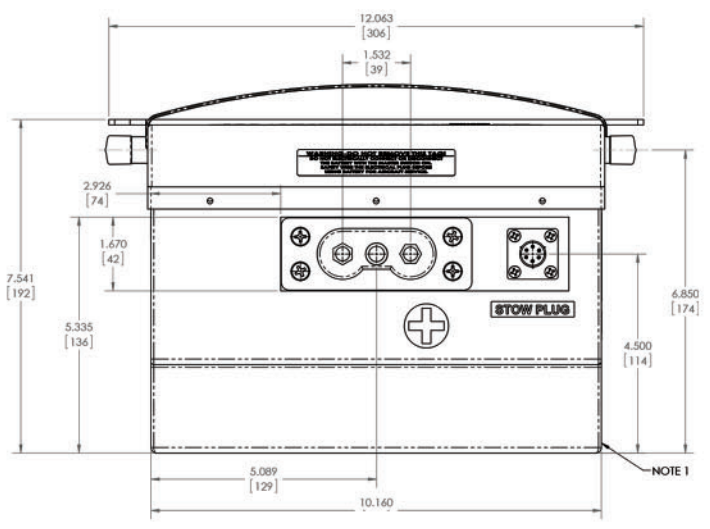
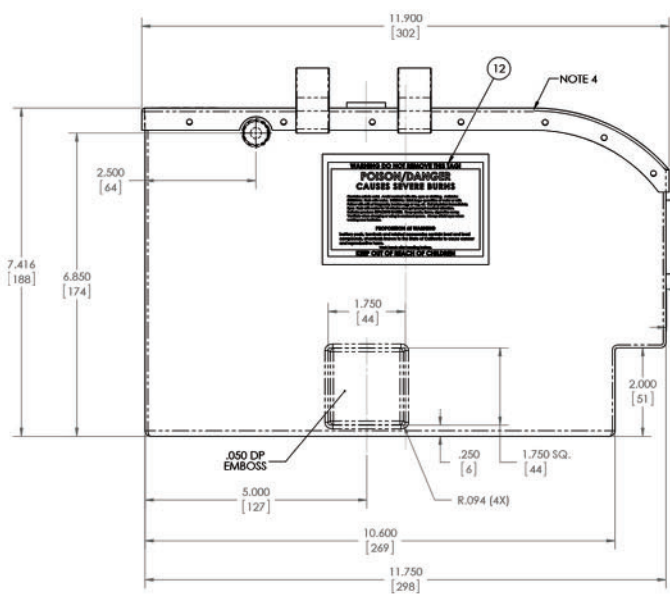
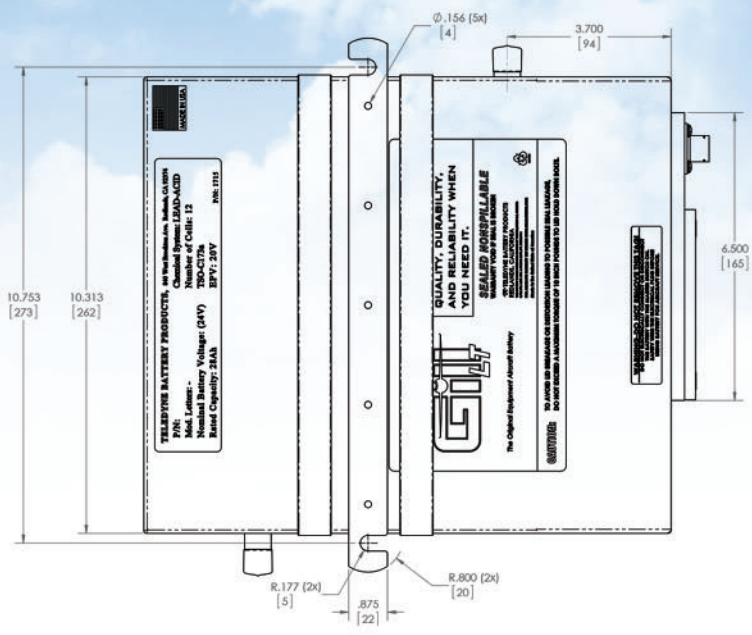
909.793.3131

GILLBATTERIES.COM

Rev 2018/11/28

## 7407-28

AVAILABLE NOW AT DISTRIBUTORS



FAA-PMA APPROVED		
MAKE	MODEL	STC KIT
Bell	407	SR0083IDE
	407GX, 407XP (Commercial Designation, OEM)	NR

NR: Not Required

