



INSTALLATION PROCEDURE FOR 7000
SERIES BATTERIES WITH CONNECTOR
ASSEMBLY

Document No.	TD14-7-04
Revision	NC
Date	1/4/13
Page	1 of 3

INSTALLATION PROCEDURE FOR
7000 SERIES BATTERIES
WITH CONNECTOR ASSEMBLY

Prepared by	J. M. Rajpara	Date:	1/4/13
--------------------	---------------	--------------	--------

A. INSTALLATION PROCEDURE FOR 7600 BATTERY WITH CONNECTOR ASSEMBLY

This installation procedure is for a typical 7600 battery with connector assembly. For detail Instructions see the Aircraft Maintenance Manual or STC

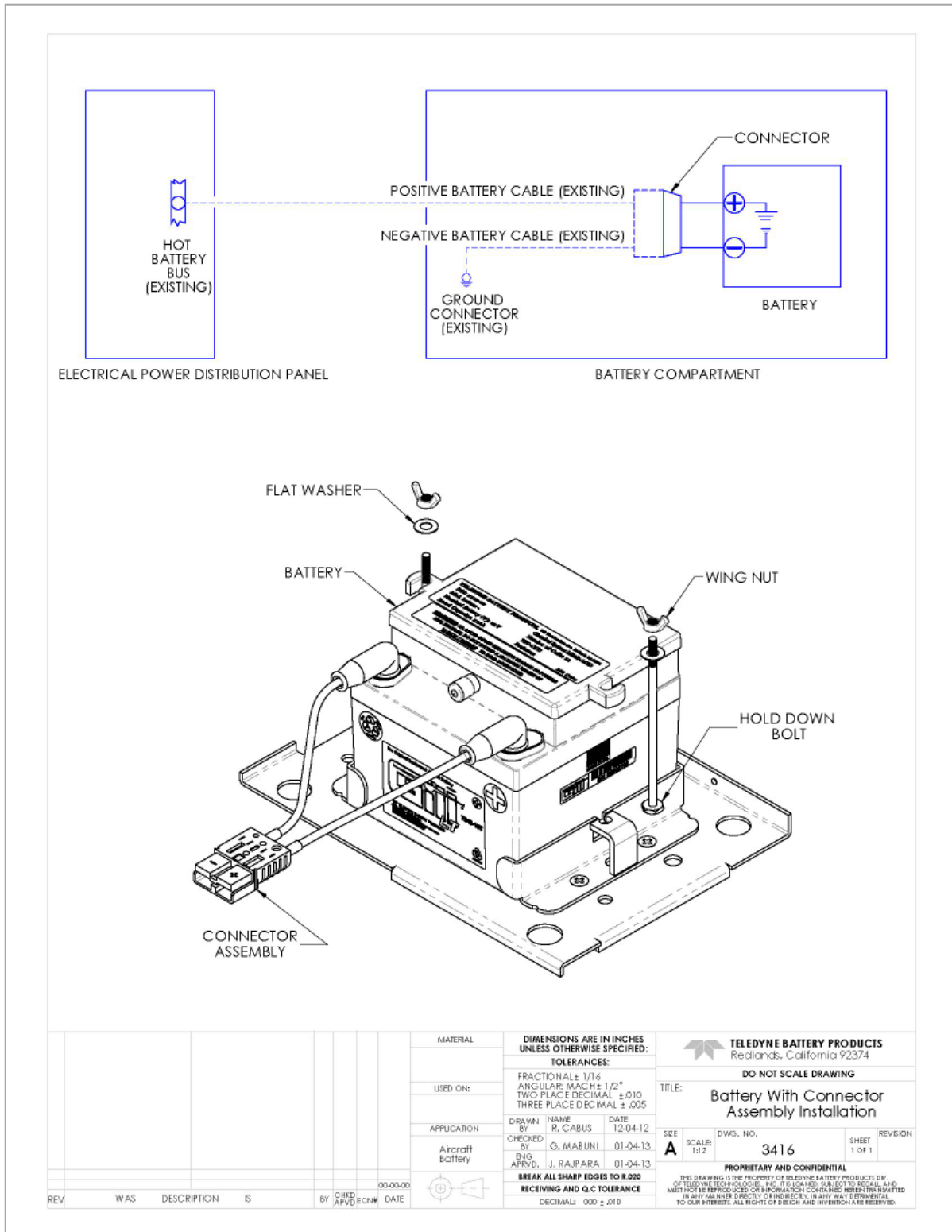
1. Ensure that the battery and external power switches, in the cockpit, are in the off position.
2. Open battery compartment access panels.
3. Position the battery in the battery tray and secure with hold down bolts. Tighten wing nuts to a torque of 10 in. lbs. See Figure 1 for Battery Installation drawing.
4. Connect the battery connector to the aircraft battery receptacle.
5. Secure the battery compartment.

NOTE:

For Instructions for Continued Airworthiness of the battery see
TELEDYNE BATTERY PRODUCTS' ICA AND COMPONENT MAINTENANCE
MAUNUAL FOR TSO-C173 APPROVED GILL 7000 SERIES LT VRLA AIRCRAFT
BATTERIES, DOCUMENT NO. TD14-8-01. This document is available on
TELEDYNE BATTERY PRODUCTS website: www.gillbattery.com

TELEDYNE BATTERY PRODUCTS 840 West Brockton Avenue, Redlands, CA 92374	Document Number	Page	Rev
	TD14-7-04	2 of 3	NC

Figure 1: BATTERY WITH CONNECTOR ASSEMBLY INSTALLATION



MATERIAL		DIMENSIONS ARE IN INCHES UNLESS OTHERWISE SPECIFIED:		TELEDYNE BATTERY PRODUCTS Redlands, California 92374	
USED ON:		TOLERANCES:		DO NOT SCALE DRAWING	
APPLICATION		FRACTIONAL ± 1/16		TITLE: Battery With Connector Assembly Installation	
Aircraft Battery		ANGULAR: MACH ± 1/2°		SEE	DWG. NO.
DRAWN BY: R. CABUS		TWO PLACE DECIMAL ± .010		A	3416
CHECKED BY: G. MABUNI		THREE PLACE DECIMAL ± .005		SCALE:	SHEET
BEG. APPROV. BY: J. RAJPARA		DATE: 12-04-12		1/2	1 OF 1
DATE: 01-04-13		DATE: 01-04-13		REVISION	
DATE: 00-00-00		BREAK ALL SHARP EDGES TO R.020		PROPRIETARY AND CONFIDENTIAL	
BY: CHD		RECEIVING AND Q.C. TOLERANCE		THIS DRAWING IS THE PROPERTY OF TELEDYNE BATTERY PRODUCTS, DIV. OF TELEDYNE TECHNOLOGIES, INC. IT IS LOANED, SUBJECT TO RECEIPT, AND MUST NOT BE REPRODUCED OR INFORMATION CONTAINED HEREIN TRANSMITTED IN ANY MANNER DIRECTLY OR INDIRECTLY, IN ANY MANNER DETRIMENTAL TO OUR INTERESTS. ALL RIGHTS OF DESIGN AND INVENTION ARE RESERVED.	
DATE: 00-00-00		DECIMAL: .000 ± .010			

TELEDYNE BATTERY PRODUCTS 840 West Brockton Avenue, Redlands, CA 92374	Document Number	Page	Rev
	TD14-7-04	3 of 3	NC